

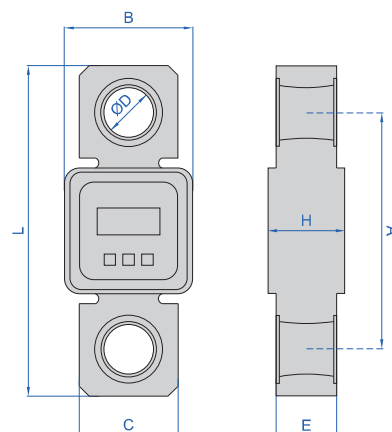
HANG SCALES

- Unit: kg, N
- LED display, remote control
- Zeroing, taring, weighing, totalization
- Peak (max.) and tracking mode
- Low voltage indicator
- Built-in buzzer
- Automatic power off
- Overload alarm



remote controller (included)

8206-3T



SPECIFICATION

| | |
|-----------------------|---------------------|
| Operation temperature | -10~55°C |
| Operation humidity | ≤85%RH |
| Material | alloy steel |
| Power supply | 3×1.5V AA batteries |
| Stable reading time | ≤8s |
| Limited overload | 300%FS |
| Maximum safe load | 150%FS |
| Overload alarm | 100%FS+9e |

| Code | D/m s/o (mm) | | | | | | |
|----------|--------------|-----|-----|-----|-----|-----|------|
| | L | B | C | H | E | A | ØD |
| 8206 05T | 204 | 99 | 46 | 50 | 30 | 158 | 26 |
| 8206 1T | 204 | 99 | 46 | 50 | 30 | 158 | 26 |
| 8206 2T | 204 | 99 | 46 | 50 | 30 | 158 | 26 |
| 8206 3T | 204 | 99 | 46 | 54 | 30 | 158 | 26 |
| 8206 5T | 222 | 99 | 60 | 58 | 35 | 162 | 31 |
| 8206 10T | 268 | 104 | 80 | 62 | 49 | 192 | 41 |
| 8206 15T | 304 | 110 | 92 | 66 | 58 | 212 | 46.5 |
| 8206 20T | 344 | 120 | 120 | 66 | 66 | 232 | 56.5 |
| 8206-30T | 394 | 132 | 132 | 73 | 73 | 264 | 66 |
| 8206 50T | 500 | 150 | 150 | 100 | 100 | 340 | 80 |

| Code | Maximum weighing | | Minimum weighing | | Resolution (d) | | Verification interval (e) | Accuracy | | Weight |
|----------|------------------|--------------|------------------|--------------|----------------|--------------|---------------------------|-------------|--------------|--------|
| | mass values | force values | mass values | force values | mass values | force values | | mass values | force values | |
| 8206-05T | 0.5t | 5kN | 4kg | 40N | 0.2kg/0.1kg | 2N/1N | 0.2kg | ±0.2kg | ±1% | 1.6kg |
| 8206-1T | 1t | 10kN | 10kg | 100N | 0.5kg/0.2kg | 5N/2N | 0.5kg | ±0.5kg | | 2kg |
| 8206-2T | 2t | 20kN | 20kg | 200N | 1kg/0.5kg | 10N/5N | 1kg | ±1kg | | 2.1kg |
| 8206-3T | 3t | 30kN | 20kg | 200N | 1kg/0.5kg | 10N/5N | 1kg | ±1.5kg | | 2.3kg |
| 8206-5T | 5t | 50kN | 40kg | 400N | 2kg/1kg | 20N/10N | 2kg | ±2kg | | 3.6kg |
| 8206-10T | 10t | 100kN | 100kg | 1kN | 5kg/2kg | 50N/20N | 5kg | ±5kg | | 6.2kg |
| 8206-15T | 15t | 150kN | 100kg | 1kN | 5kg/2kg | 50N/20N | 5kg | ±7.5kg | | 9.5kg |
| 8206-20T | 20t | 200kN | 200kg | 2kN | 10kg/5kg | 100N/50N | 10kg | ±10kg | | 15kg |
| 8206-30T | 30t | 300kN | 200kg | 2kN | 10kg/5kg | 100N/50N | 10kg | ±15kg | | 21.9kg |
| 8206-50T | 50t | 500kN | 400kg | 4kN | 20kg/10kg | 200N/100N | 20kg | ±20kg | | 45.5kg |

STANDARD DELIVERY

| | |
|-------------------|------|
| Main unit | 1 pc |
| Remote controller | 1 pc |

OPTIONAL ACCESSOR

| | |
|-----------------------|-----------|
| Hang scale pull rings | page 1368 |
|-----------------------|-----------|



hang scale pull rings (optional)